

Attn.: _____

HIROSE ELECTRIC CO., LTD.
2-6-3 Nakagawa Chuoh, Tsuzuki-ku, Yokohama, JAPAN

Product Change Notification

We are writing today to inform you that we will make some changes as shown in the subject for the reason described below.
We will announce them in advance.

1	Products affected	HRM(V)-301S (CL : 323-0884-5-00) HRM(V)-300-478S (CL : 323-0956-4-00)
2	Replacement product	The replacement product for HRM(V)-301S is HRM-301S (CL: 323-0058-9-00). *Please refer to the attached sheet for differences from the current product. We are sorry, but we do not plan to sell a replacement product for HRM(V)-300-478S.
3	Classification of change	Discontinued sales.
4	Reason for change	Due to difficulties in procurement of parts and materials.
5	Date of final reception of orders for the current product	June 30,2024
6	Date of final shipment of the current product	December 31,2024
7	Date of your acknowledgement	By May 31,2024

We kindly request that you inform Hirose business representative of your acknowledgement by the aforesaid date.

In the absence of a response by this date, please be advised that replacement product that described above will be delivered.

Attachment

HRM(V)-301S, HRM-301S Explanatory Materials for Differences

HIROSE ELECTRIC CO., LTD.

Engineering Group

SB Division

HPC Engineering Department

Coaxial Connector Engineering Section

Differences in specifications

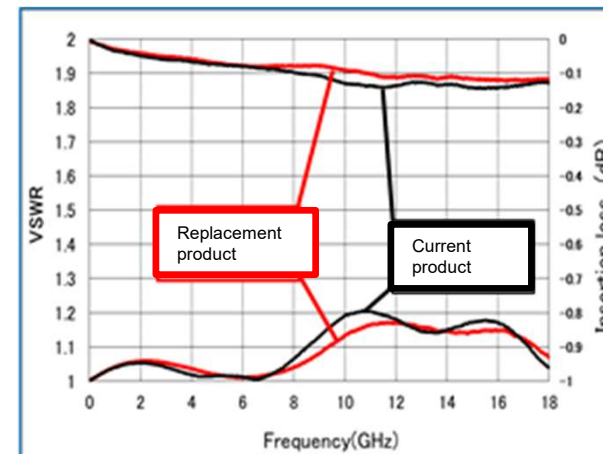
The HRM(V)-301S, which will no longer be sold, was developed as a VA product for the HRM-301S, which we are proposing as a replacement.

- ◆ The differences in specifications are shown in the table below. Guaranteed frequency bands are identical.

	Current product HRM(V)-301S	Replacement product HRM-301S
Operating temperature range	-55 °C to +85 °C	-55 °C to +125 °C
Contact resistance	Initial : Center 6mΩ or less, External 6mΩ or less	Initial : Center 4mΩ or less, External 4mΩ or less
	After testing : Center 8mΩ or less, External 8mΩ or less	After testing : Center 6mΩ or less, External 6mΩ or less
Voltage standing wave ratio (VSWR)	Frequency : 0.045 ~ 10GHz Less than 1.2	Frequency : 0.045 ~ 18GHz 1.05+0.01f(GHz)
	Frequency : 10 ~ 18GHz Less than 1.3	FYI f : 10GHz 1.15 f : 18GHz 1.23
Insertion loss	No stipulation	Frequency : 0.045 ~ 18GHz 0.05+0.01f(GHz)
Single contact insertion and extraction force	Φ0.9017 0/ -0.0025 Measured with copper pin 0.3N or more	Φ0.91 +0.005/0 Measured with copper pin 150gf (1.5N) or more
Repetitive motion	Up to 500 times	Up to 1000 times

- ◆ Actual measured value of high-frequency characteristics

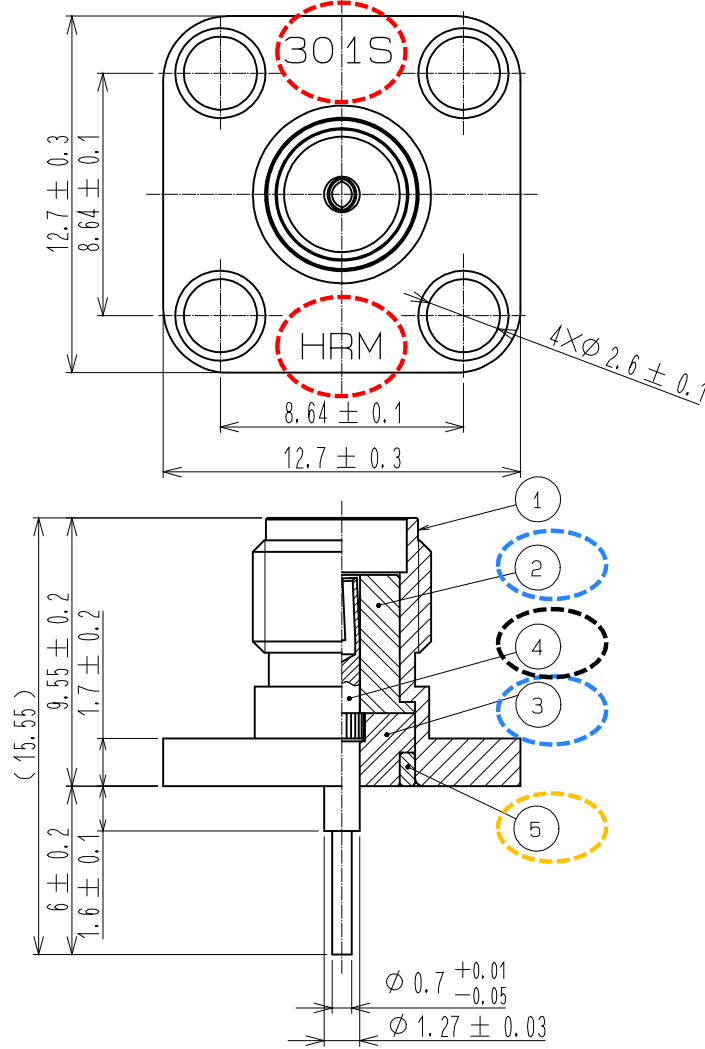
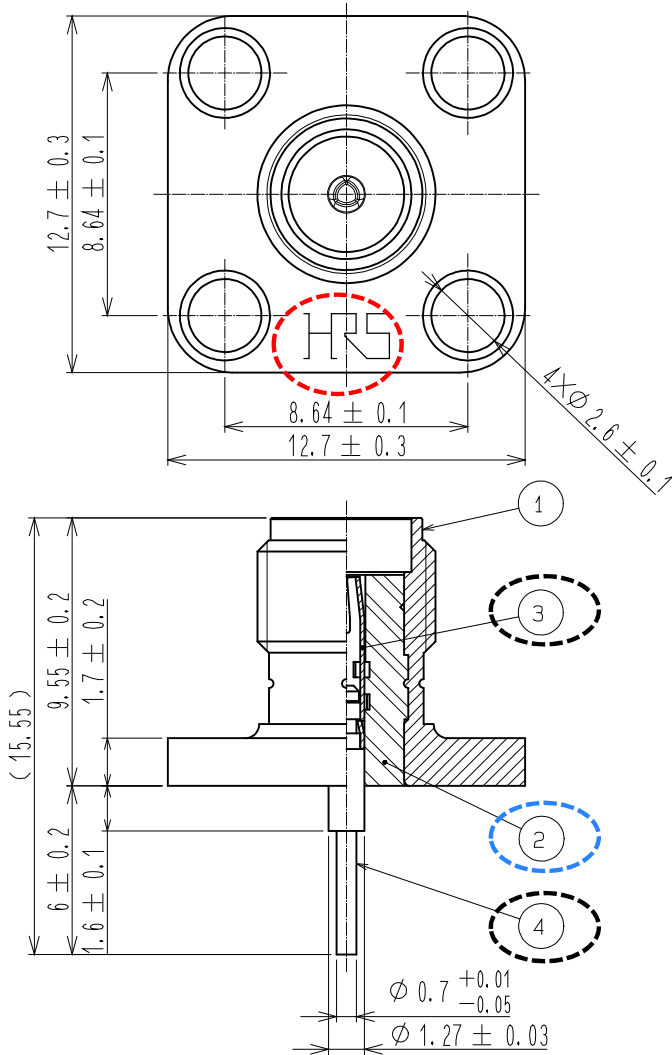
The measured high-frequency characteristics of the current product and the substitute product are at the same level.



Differences in structure and appearance

Current product : HRM(V)-301S

Replacement product : HRM-301S



◆ Appearance differences

	Current product	Replacement product
	HRM(V)-301S	HRM-301S
Flange display characters	HRS	HRM、301S

◆ Structural differences

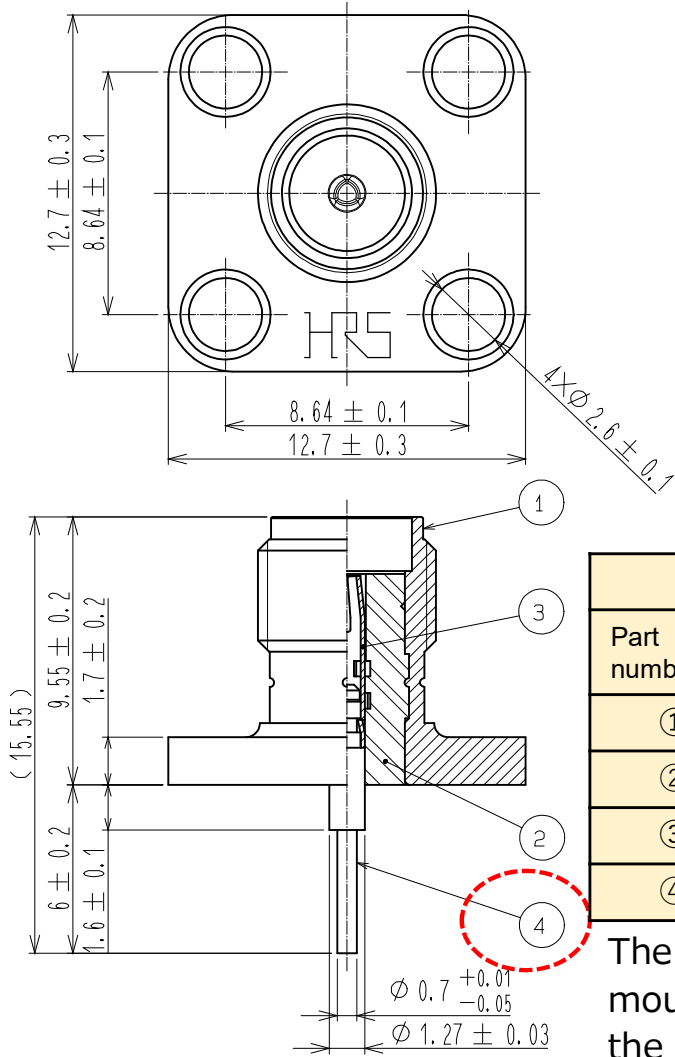
	Current product	Replacement product
	HRM(V)-301S	HRM-301S
female terminal	Two-body structure (③ + ④)	One body (④)
Isolation	1 part (②)	2 parts (②、③)
Retaining ring	Without	With (⑤)

External dimensions and exterior (plating) are identical.

Difference in materials

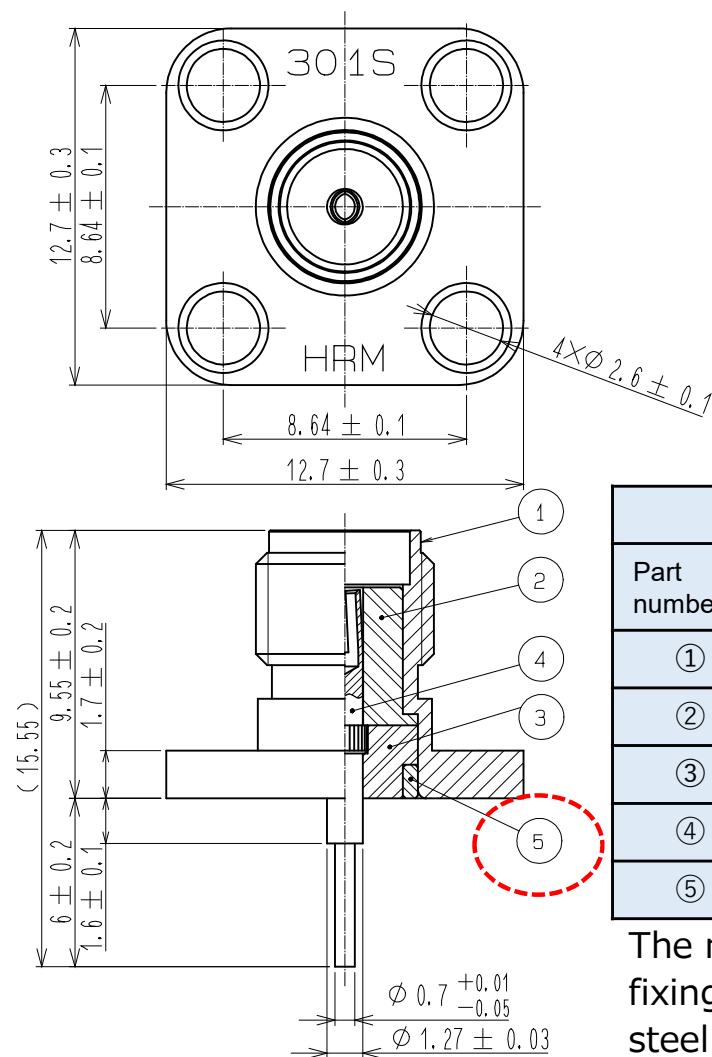
Current product : HRM(V)-301S

Replacement product : HRM-301S



HRM(V)-301S	
Part number	Material properties
①	Stainless steel
②	PTFE resin
③	Beryllium copper
④	Brass

The material of the mounting side part of the female terminal of the two-body structure is brass.



HRM-301S	
Part number	Material properties
①	Stainless steel
②	PTFE resin
③	PTFE resin
④	Beryllium copper
⑤	Stainless steel

The material of the fixing ring is stainless steel.

HRS HIROSE
ELECTRIC
CO.,LTD.

Acknowledgement

(Customer → Hirose Electric business representative)

Product Change Notification
Request for Your Acknowledgement

We acknowledge the changes and schedule of this notification.

Customer's name: _____

Acknowledgement stamp (or signature): _____

HIROSE ELECTRIC CO., LTD.

(Cut on this line)

Document Receipt

(Customer → Hirose Electric business representative)

Product Change Notification
Request for Your Acknowledgement

We received the document concerning the above.

Customer's name: _____

Acknowledgment stamp (or signature): _____

HIROSE ELECTRIC CO., LTD.